



AKC
Obedience
Open A & B Classes &
Preferred-Open Class

Steward's Instructions
Exercise Order & Schematic Sheets/Heeling Patterns
Judging Worksheets
Jump Chart

The samples provided are for ideas in brainstorming
to develop one's own materials for judging.

Judges are welcome to use these forms if you wish.



John Cox dog-talk@comcast.net

STEWARD INSTRUCTIONS

General Information For All Classes

- ARMBANDS** **When handing out armbands make a check mark in the catalog next to the number. In classes with jumps ask for the jump heights.**
- CONFLICTS** A conflict exists only when the dog entered in this class has a conflicting time schedule in another class. In such a case, have the handler check with me. I will try to make arrangements for later or earlier judging. **Make a note of a conflict in the catalog.** Handlers have the responsibility to be at ringside--we cannot wait or look for them.
- OUT OF ORDER** Call to my attention a dog coming into the ring out of catalog order.
- ABSENTEES** **Notify me of absentees**--both those who have not picked up armbands and those who have checked in and are not at ringside to be judged when called.
- COLLAR, ETC.** Visually check collars and leashes to see that they comply with the Regulations (Chapter 2, Sections 16 & 17). No tags are allowed **hanging** from the collar. I will also check but if you spot a problem outside the ring it saves us time by correcting it then.
- Also, be sure handlers have no belt pouches, belt packs, pagers or cell phones when coming into the ring **during the exercises or awards.**
- LEASHES** **Make sure all dogs enter and leave the ring on leash.**
- RING GATE** **Do not stand at the entrance to block a dog from leaving the ring.**
- TOYS/FOOD** **No food or toys** are to be placed on the judge's table by the handler while they are in the ring.
- SCORES** **Do not disclose scores, etc., to the handlers or allow anyone to look at the Judge's Book.** I will inform the handler if they qualified after the last exercise. All final scores and placements will be given out after the whole class (or split class) has been judged.
- JUDGE'S BOOK** I would like a steward to double-check my addition. If you have a question, inform me. Do not make corrections or write in the Judge's Book.
- SPECTATORS** Watch around the ring for any spectators or dogs that could be too close to the ring and cause interference with the dog(s) in the ring.

Please keep your attention in the ring and be ready when needed.
Thank you for stewarding! The handlers and I are counting on you.

Please turn over

Open A or B or Preferred - Exercise Order I

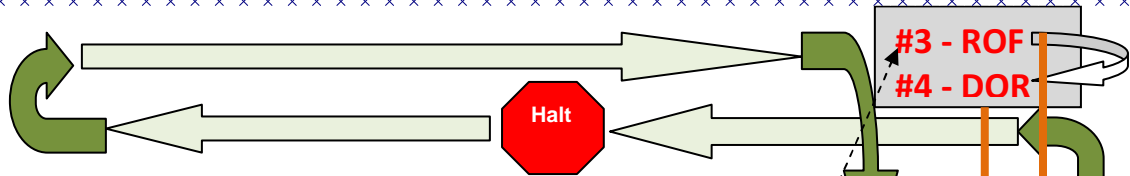
© by John Cox

#	Breed					Points Off	Point Total	Net
	L	F	S	C	W			
Heel Free							40	
Handler: Fast NA BA / Slow ND NB PS NS PS NS Hand arm position Briskness Head motion Rounded or Military Turn								
Figure Fight								
Hand Position Briskness Head motion PS NS PS NS Adapts Pace Wide Shoulder motion								
Command Discrimination	Stand	Down	Sit	HP		30		
	EC/S = NQ Held Signal Moved	EC/S = NQ Held Signal Moved	EC/S = NQ Held Signal Moved					
Drop on Recall	Slow response No trot/gallop Not direct Slow response to command/signal Traveled Slowness to down No drop Slow response No trot/gallop Not direct					30		
	Front: NF PS NS Out T Between feet Finish: NF PS NS Prompt Smart							
Retrieve on Flat	Slow Response Anticipated EC=NQ No trot/gallop Not direct Drop Prompt retrieve Mouth Release Hand					20		
	Front: NF PS NS Out T Between feet Finish: NF PS NS Prompt Smart							
Retrieve Over High Jump	Slow Response Anticipated EC=NQ No trot/gallop Not direct Drop Prompt retrieve Mouth Release Around jump Hes./rel. to jump T Hand					30		
	Front: NF PS NS Out T Between feet Finish: NF PS NS Prompt Smart							
Broad Jump	Slow Response Anticipated EC=NQ Refused jump Failed to clear distance Hes./rel. to jump T No trot/gallop Not direct Turn in place Midair BA Hand					20		
	Front: NF PS NS Out T Between feet Finish: NF PS NS Prompt Smart							
Stand – Get Your Leash	Stand	HP				30		
	Held Signal Moved Changed	Moved Changed						
"Leave your dog to get your leash" "Attach your leash to the collar and maintain control of your dog."								
Not under control in area of the gate					Miscellaneous	-		
Bark Whine Positioning Guiding					Final Score			

Open A or B or Preferred - Exercise Order I

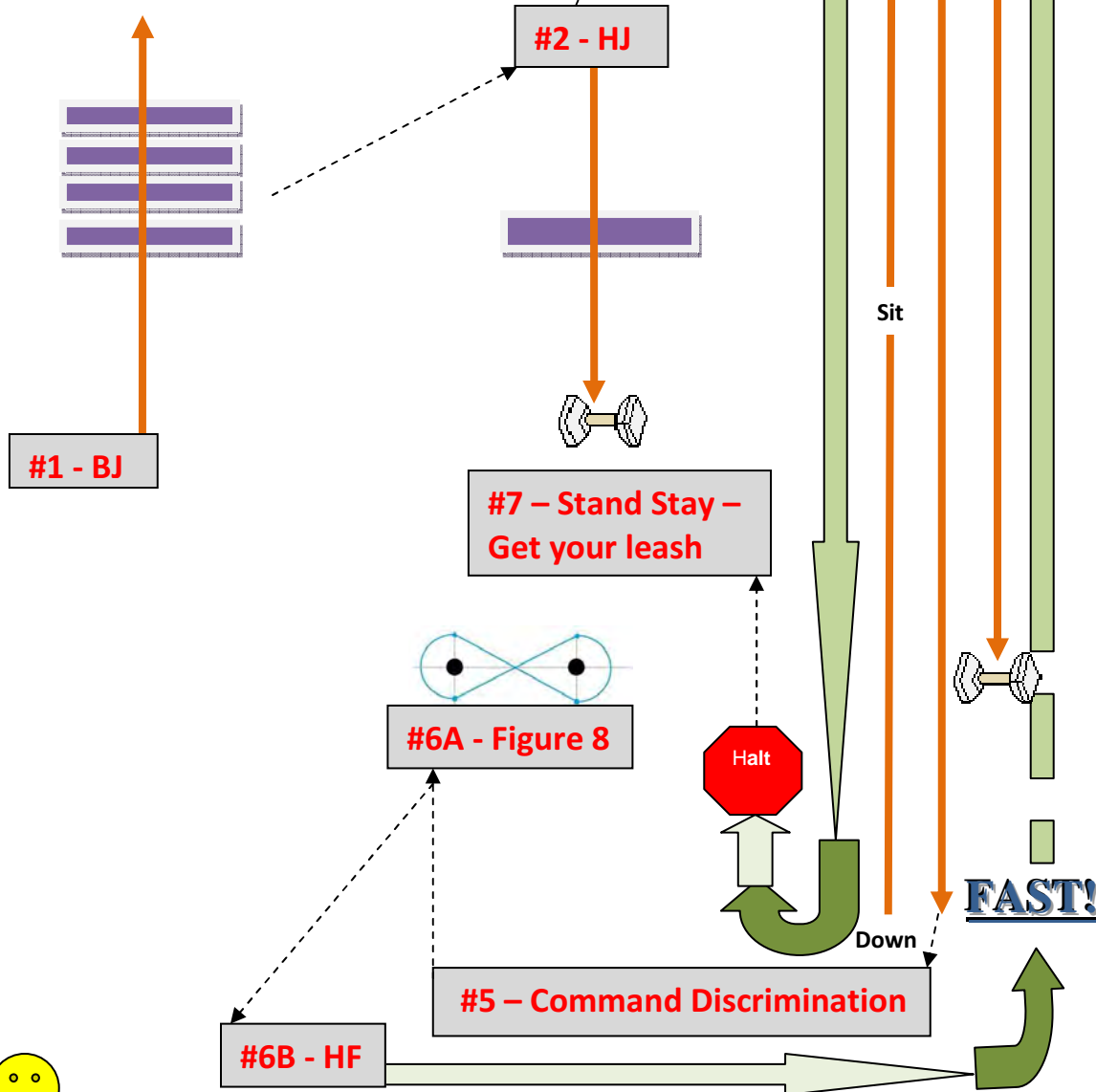
© by John Cox

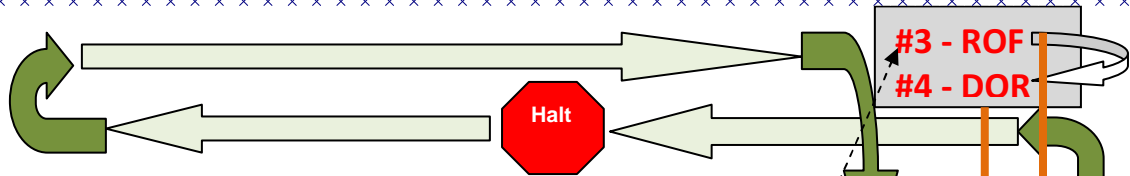
#	Breed					Points Off	Point Total	Net
	L	F	S	C	W			
Heel Free							40	
Handler: Fast NA BA / Slow ND NB PS NS PS NS Hand arm position Briskness Head motion Rounded or Military Turn								
Figure Fight								
Hand Position Briskness Head motion PS NS PS NS Adapts Pace Wide Shoulder motion								
Command Discrimination	Stand	Down	Sit	HP		30		
	EC/S = NQ Held Signal Moved	EC/S = NQ Held Signal Moved	EC/S = NQ Held Signal Moved					
Drop on Recall	Slow response No trot/gallop Not direct Slow response to command/signal Traveled Slowness to down No drop Slow response No trot/gallop Not direct					30		
	Front: NF PS NS Out T Between feet Finish: NF PS NS Prompt Smart							
Retrieve on Flat	Slow Response Anticipated EC=NQ No trot/gallop Not direct Drop Prompt retrieve Mouth Release Hand					20		
	Front: NF PS NS Out T Between feet Finish: NF PS NS Prompt Smart							
Retrieve Over High Jump	Slow Response Anticipated EC=NQ No trot/gallop Not direct Drop Prompt retrieve Mouth Release Around jump Hes./rel. to jump T Hand					30		
	Front: NF PS NS Out T Between feet Finish: NF PS NS Prompt Smart							
Broad Jump	Slow Response Anticipated EC=NQ Refused jump Failed to clear distance Hes./rel. to jump T No trot/gallop Not direct Turn in place Midair BA Hand					20		
	Front: NF PS NS Out T Between feet Finish: NF PS NS Prompt Smart							
Stand – Get Your Leash	Stand	HP				30		
	Held Signal Moved Changed	Moved Changed						
"Leave your dog to get your leash" "Attach your leash to the collar and maintain control of your dog."								
Not under control in area of the gate					Miscellaneous	-		
Bark Whine Positioning Guiding					Final Score			



OPEN B, Order II

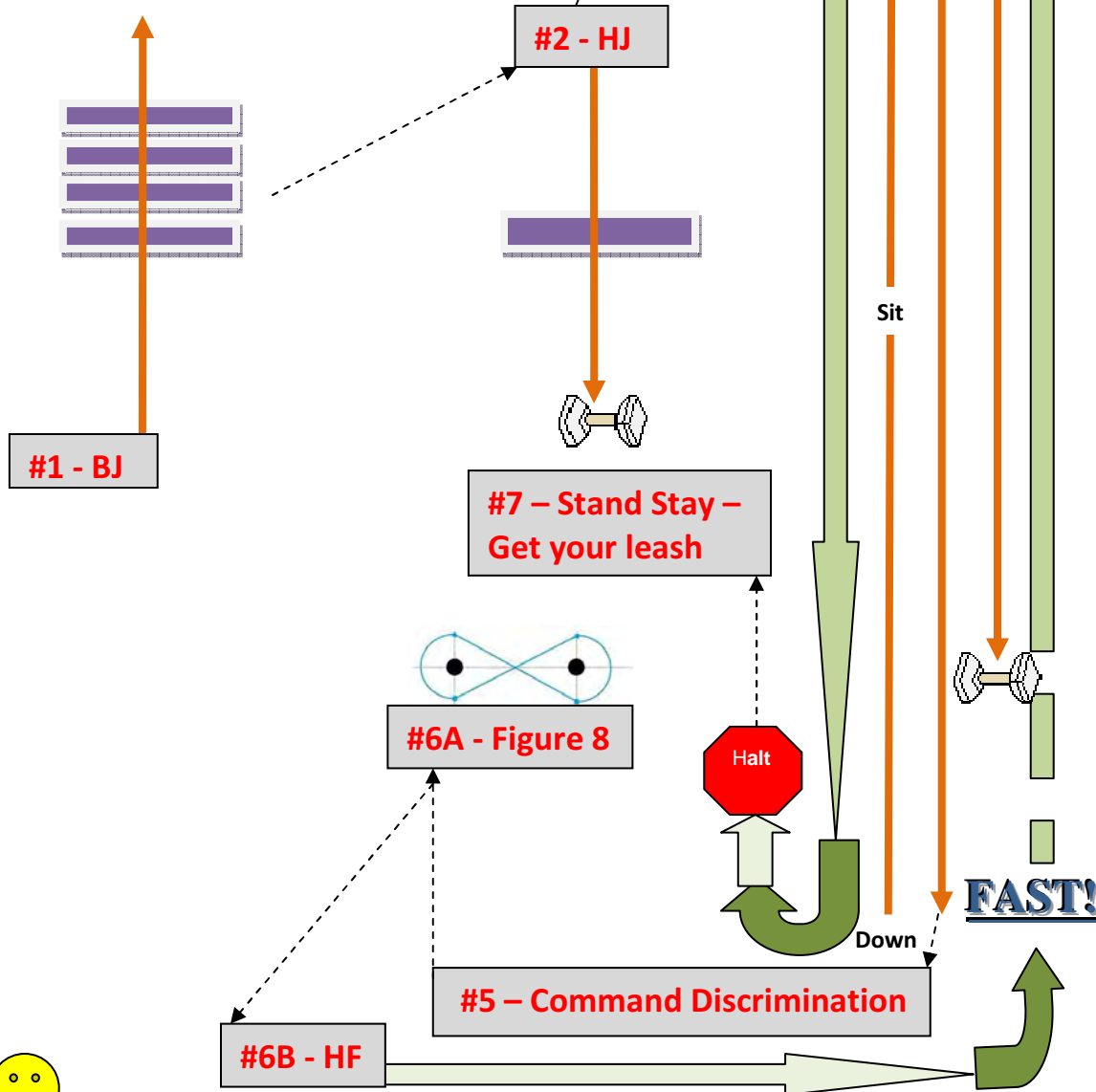
1. Broad Jump
2. Retrieve Over High Jump
3. Retrieve on Flat
4. Drop on Recall
5. Command Discrimination (Down, Sit, Stand)
6. Figure Eight & Heel Free
7. Stand Stay – Get Your Leash





OPEN Preferred, Order II

1. Broad Jump
2. Retrieve Over High Jump
3. Retrieve on Flat
4. Drop on Recall
5. Command Discrimination (Down, Sit, Stand)
6. Figure Eight & Heel Free
7. Stand Stay – Get Your Leash



Open B or Preferred - Exercise Order II

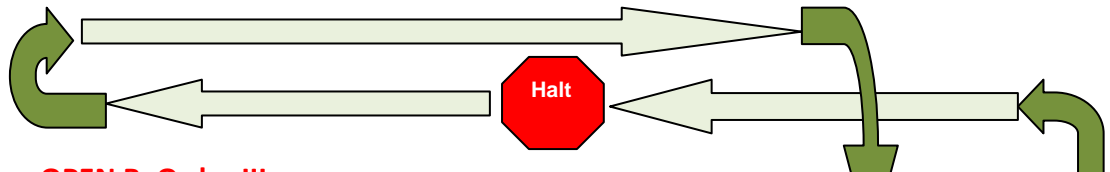
© by John Cox

#	Breed				Points Off	Point Total	Net
Broad Jump	Slow Response Anticipated EC=NQ Refused jump Failed to clear distance Hes./rel. to jump T No trot/gallop Not direct Turn in place Midair BA Hand					20	
	Front: NF PS NS Out T Between feet Finish: NF PS NS Prompt Smart						
Retrieve Over High Jump	Slow Response Anticipated EC=NQ No trot/gallop Not direct Drop Prompt retrieve Mouth Release Around jump Hes./rel. to jump T Hand					30	
	Front: NF PS NS Out T Between feet Finish: NF PS NS Prompt Smart						
Retrieve on Flat	Slow Response Anticipated EC=NQ No trot/gallop Not direct Drop Prompt retrieve Mouth Release Hand					20	
	Front: NF PS NS Out T Between feet Finish: NF PS NS Prompt Smart						
Drop on Recall	Slow response No trot/gallop Not direct Slow response to command/signal Traveled Slowness to down No drop Slow response No trot/gallop Not direct					30	
	Front: NF PS NS Out T Between feet Finish: NF PS NS Prompt Smart						
Command Discrimination	Down	Sit	Stand	HP		30	
	EC/S = NQ Held Signal Moved	EC/S = NQ Held Signal Moved	EC/S = NQ Held Signal Moved				
Figure Eight Then	L	F	S	C	W		40
Heel Free	Hand Arm Briskness Head motion PS NS PS NS Adapts pace Wide Shoulder motion						
	Handler: Fast NA BA / Slow ND NB PS NS PS NS Hand arm position Briskness Head motion Rounded or Military Turn						
Stand – Get Your Leash	Stand	HP				30	
	Held Signal Moved Changed	Moved Changed					
"Leave your dog to get your leash" "Attach your leash to the collar and maintain control of your dog."							
Not under control in area of the gate				Miscellaneous		-	
Bark Whine Positioning Guiding				Final Score			

Open B or Preferred - Exercise Order II

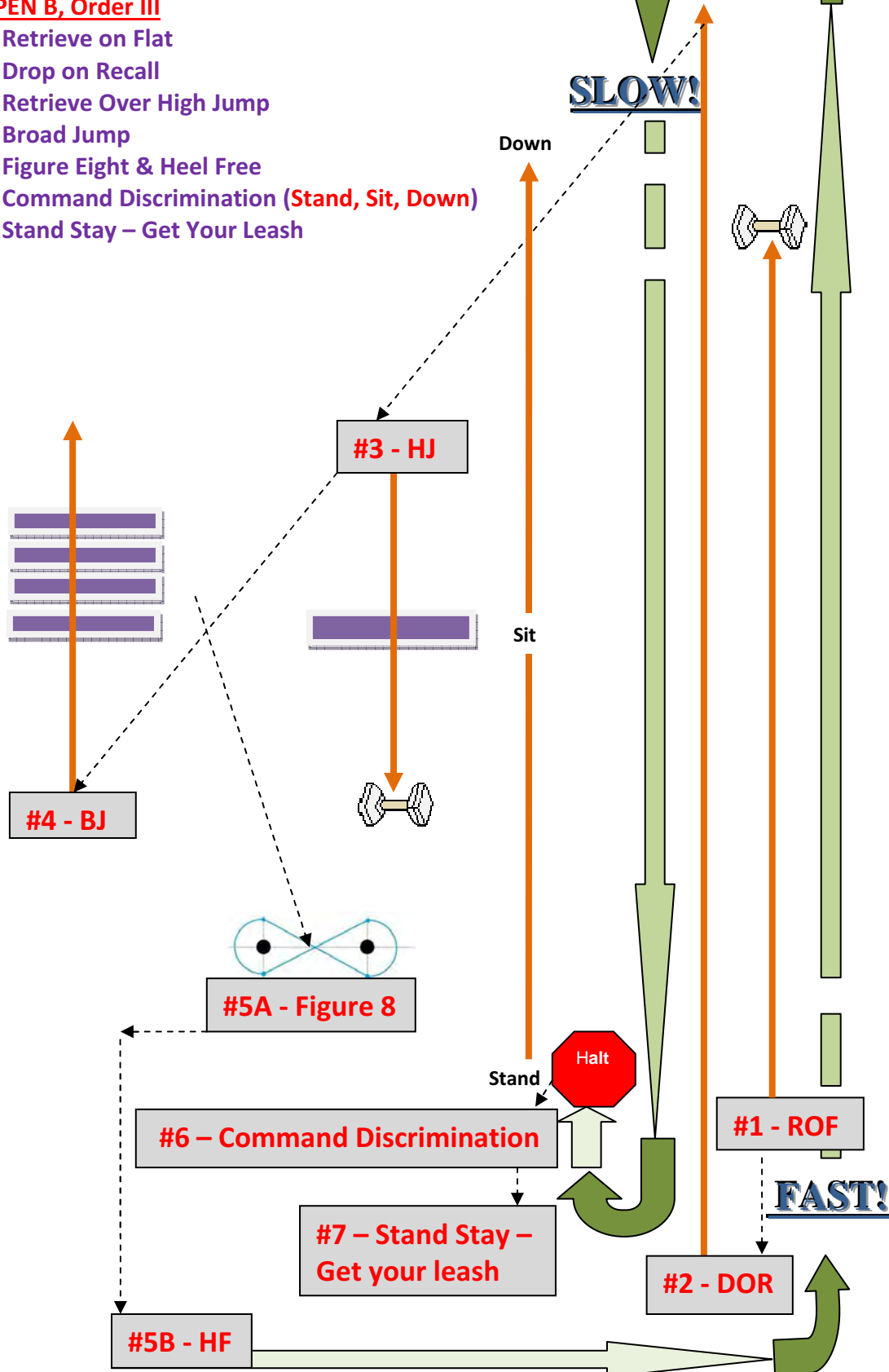
© by John Cox

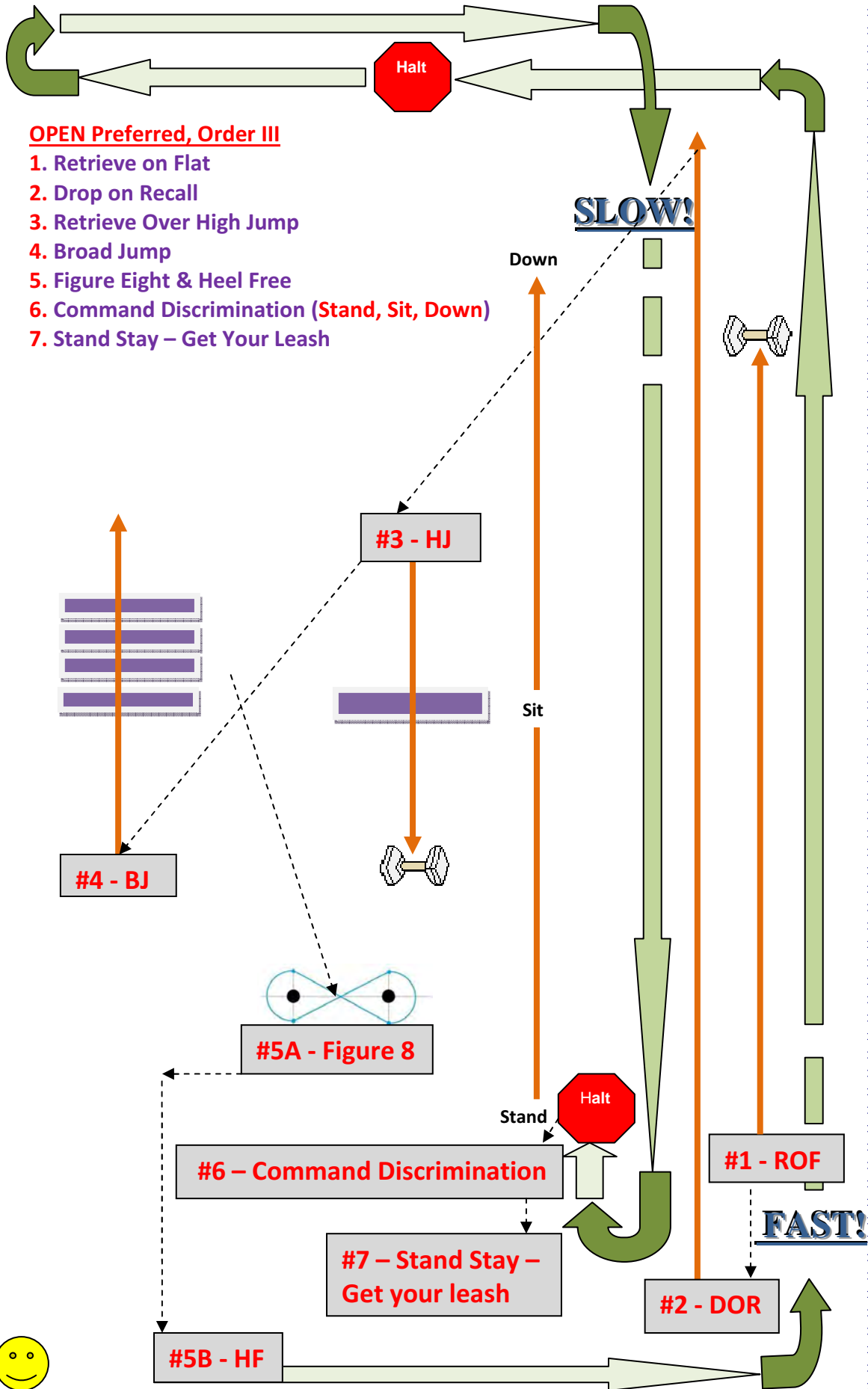
#	Breed				Points Off	Point Total	Net
Broad Jump	Slow Response Anticipated EC=NQ Refused jump Failed to clear distance Hes./rel. to jump T No trot/gallop Not direct Turn in place Midair BA Hand					20	
	Front: NF PS NS Out T Between feet Finish: NF PS NS Prompt Smart						
Retrieve Over High Jump	Slow Response Anticipated EC=NQ No trot/gallop Not direct Drop Prompt retrieve Mouth Release Around jump Hes./rel. to jump T Hand					30	
	Front: NF PS NS Out T Between feet Finish: NF PS NS Prompt Smart						
Retrieve on Flat	Slow Response Anticipated EC=NQ No trot/gallop Not direct Drop Prompt retrieve Mouth Release Hand					20	
	Front: NF PS NS Out T Between feet Finish: NF PS NS Prompt Smart						
Drop on Recall	Slow response No trot/gallop Not direct Slow response to command/signal Traveled Slowness to down No drop Slow response No trot/gallop Not direct					30	
	Front: NF PS NS Out T Between feet Finish: NF PS NS Prompt Smart						
Command Discrimination	Down	Sit	Stand	HP		30	
	EC/S = NQ Held Signal Moved	EC/S = NQ Held Signal Moved	EC/S = NQ Held Signal Moved				
Figure Eight Then	L	F	S	C	W		40
Heel Free	Hand Arm Briskness Head motion PS NS PS NS Adapts pace Wide Shoulder motion						
	Handler: Fast NA BA / Slow ND NB PS NS PS NS Hand arm position Briskness Head motion Rounded or Military Turn						
Stand – Get Your Leash	Stand	HP				30	
	Held Signal Moved Changed	Moved Changed					
"Leave your dog to get your leash" "Attach your leash to the collar and maintain control of your dog."							
Not under control in area of the gate				Miscellaneous		-	
Bark Whine Positioning Guiding				Final Score			



OPEN B, Order III

1. Retrieve on Flat
2. Drop on Recall
3. Retrieve Over High Jump
4. Broad Jump
5. Figure Eight & Heel Free
6. Command Discrimination (Stand, Sit, Down)
7. Stand Stay – Get Your Leash





OPEN Preferred, Order III

1. Retrieve on Flat
2. Drop on Recall
3. Retrieve Over High Jump
4. Broad Jump
5. Figure Eight & Heel Free
6. Command Discrimination (Stand, Sit, Down)
7. Stand Stay – Get Your Leash

Open B or Preferred - Exercise Order III

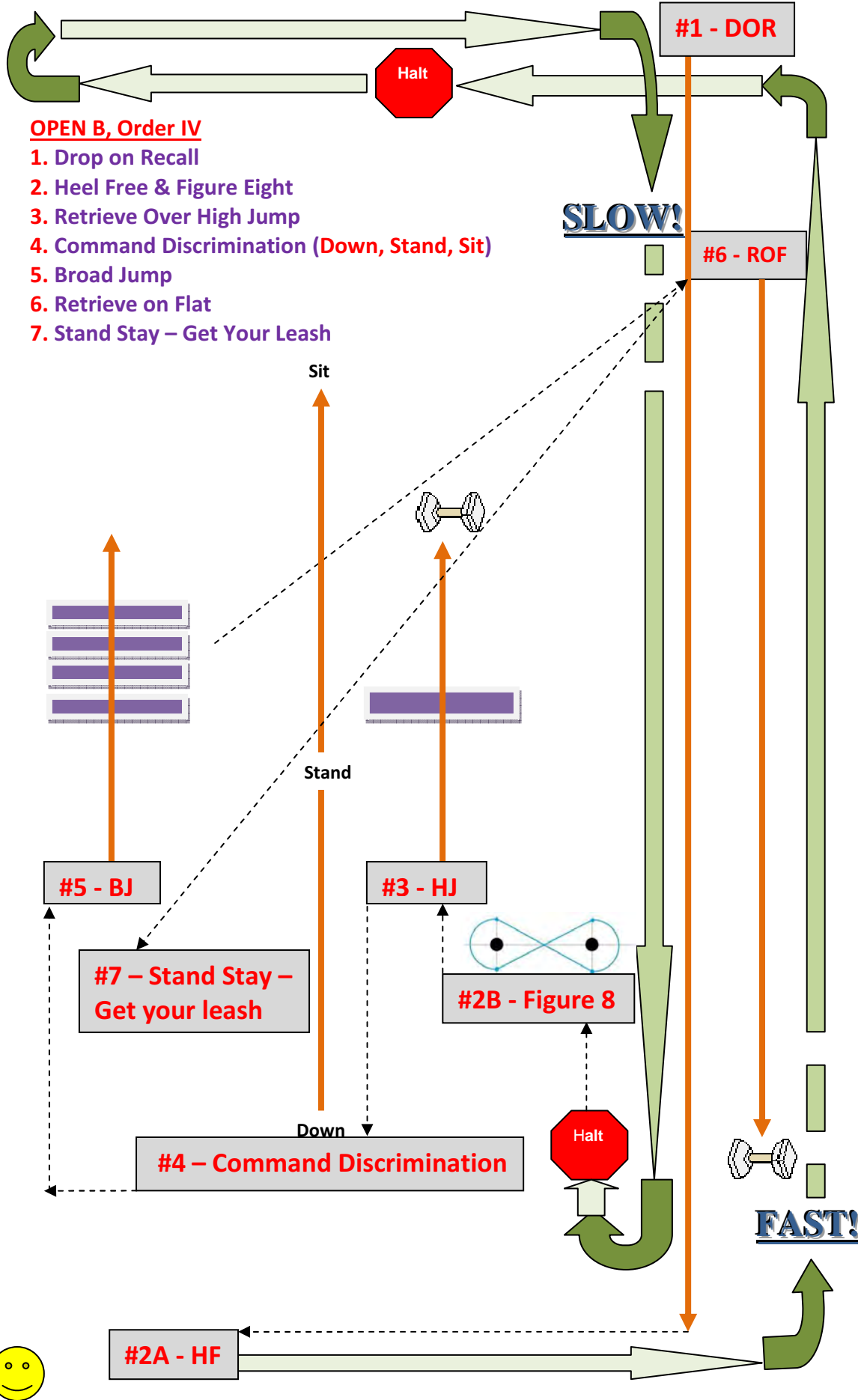
© by John Cox

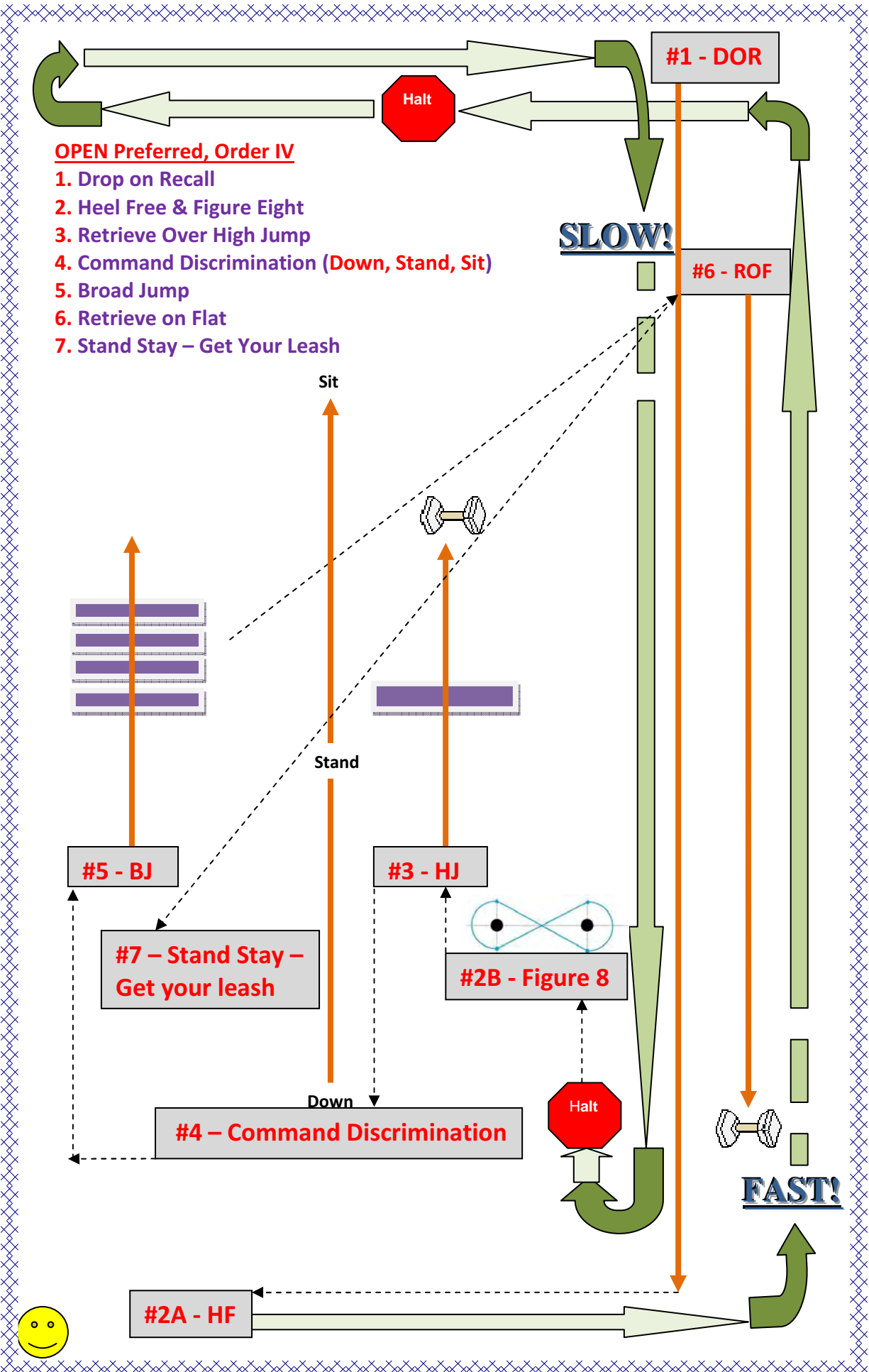
#	Breed					Points Off	Point Total	Net
Retrieve on Flat	Slow Response Anticipated EC=NQ No trot/gallop Not direct Drop Prompt retrieve Mouth Release Hand					20		
	Front: NF PS NS Out T Between feet Finish: NF PS NS Prompt Smart							
Drop on Recall	Slow response No trot/gallop Not direct Slow response to command/signal Traveled Slowness to down No drop Slow response No trot/gallop Not direct					30		
	Front: NF PS NS Out T Between feet Finish: NF PS NS Prompt Smart							
Retrieve Over High Jump	Slow Response Anticipated EC=NQ No trot/gallop Not direct Drop Prompt retrieve Mouth Release Around jump Hes./rel. to jump T Hand					30		
	Front: NF PS NS Out T Between feet Finish: NF PS NS Prompt Smart							
Broad Jump	Slow Response Anticipated EC=NQ Refused jump Failed to clear distance Hes./rel. to jump T No trot/gallop Not direct Turn in place Midair BA Hand					20		
	Front: NF PS NS Out T Between feet Finish: NF PS NS Prompt Smart							
Figure Eight	L	F	S	C	W			
Hand Arm Briskness Head motion PS NS PS NS Adapts pace Wide Shoulder motion					40			
Heel Free								
Handler: Fast NA BA / Slow ND NB PS NS PS NS Hand arm position Briskness Head motion Rounded or Military Turn								
Command Discrimination		Stand EC/S = NQ Held Signal Moved	Sit EC/S = NQ Held Signal Moved	Down EC/S = NQ Held Signal Moved				HP
Stand - Get Your Leash		Stand Held Signal Moved Changed		HP Moved Changed		30		
"Leave your dog to get your leash" "Attach your leash to the collar and maintain control of your dog."								
Not under control in area of the gate						Miscellaneous	-	
Bark Whine Positioning Guiding					Final Score			

Open B or Preferred - Exercise Order III

© by John Cox

#	Breed					Points Off	Point Total	Net
Retrieve on Flat	Slow Response Anticipated EC=NQ No trot/gallop Not direct Drop Prompt retrieve Mouth Release Hand					20		
	Front: NF PS NS Out T Between feet Finish: NF PS NS Prompt Smart							
Drop on Recall	Slow response No trot/gallop Not direct Slow response to command/signal Traveled Slowness to down No drop Slow response No trot/gallop Not direct					30		
	Front: NF PS NS Out T Between feet Finish: NF PS NS Prompt Smart							
Retrieve Over High Jump	Slow Response Anticipated EC=NQ No trot/gallop Not direct Drop Prompt retrieve Mouth Release Around jump Hes./rel. to jump T Hand					30		
	Front: NF PS NS Out T Between feet Finish: NF PS NS Prompt Smart							
Broad Jump	Slow Response Anticipated EC=NQ Refused jump Failed to clear distance Hes./rel. to jump T No trot/gallop Not direct Turn in place Midair BA Hand					20		
	Front: NF PS NS Out T Between feet Finish: NF PS NS Prompt Smart							
Figure Eight	L	F	S	C	W			
Hand Arm Briskness Head motion PS NS PS NS Adapts pace Wide Shoulder motion					40			
Heel Free								
Handler: Fast NA BA / Slow ND NB PS NS PS NS Hand arm position Briskness Head motion Rounded or Military Turn								
Command Discrimination		Stand EC/S = NQ Held Signal Moved	Sit EC/S = NQ Held Signal Moved	Down EC/S = NQ Held Signal Moved				HP
Stand - Get Your Leash		Stand Held Signal Moved Changed		HP Moved Changed		30		
"Leave your dog to get your leash" "Attach your leash to the collar and maintain control of your dog."								
Not under control in area of the gate						Miscellaneous	-	
Bark Whine Positioning Guiding					Final Score			





OPEN Preferred, Order IV

1. Drop on Recall
2. Heel Free & Figure Eight
3. Retrieve Over High Jump
4. Command Discrimination (Down, Stand, Sit)
5. Broad Jump
6. Retrieve on Flat
7. Stand Stay – Get Your Leash

Open B or Preferred - Exercise Order IV

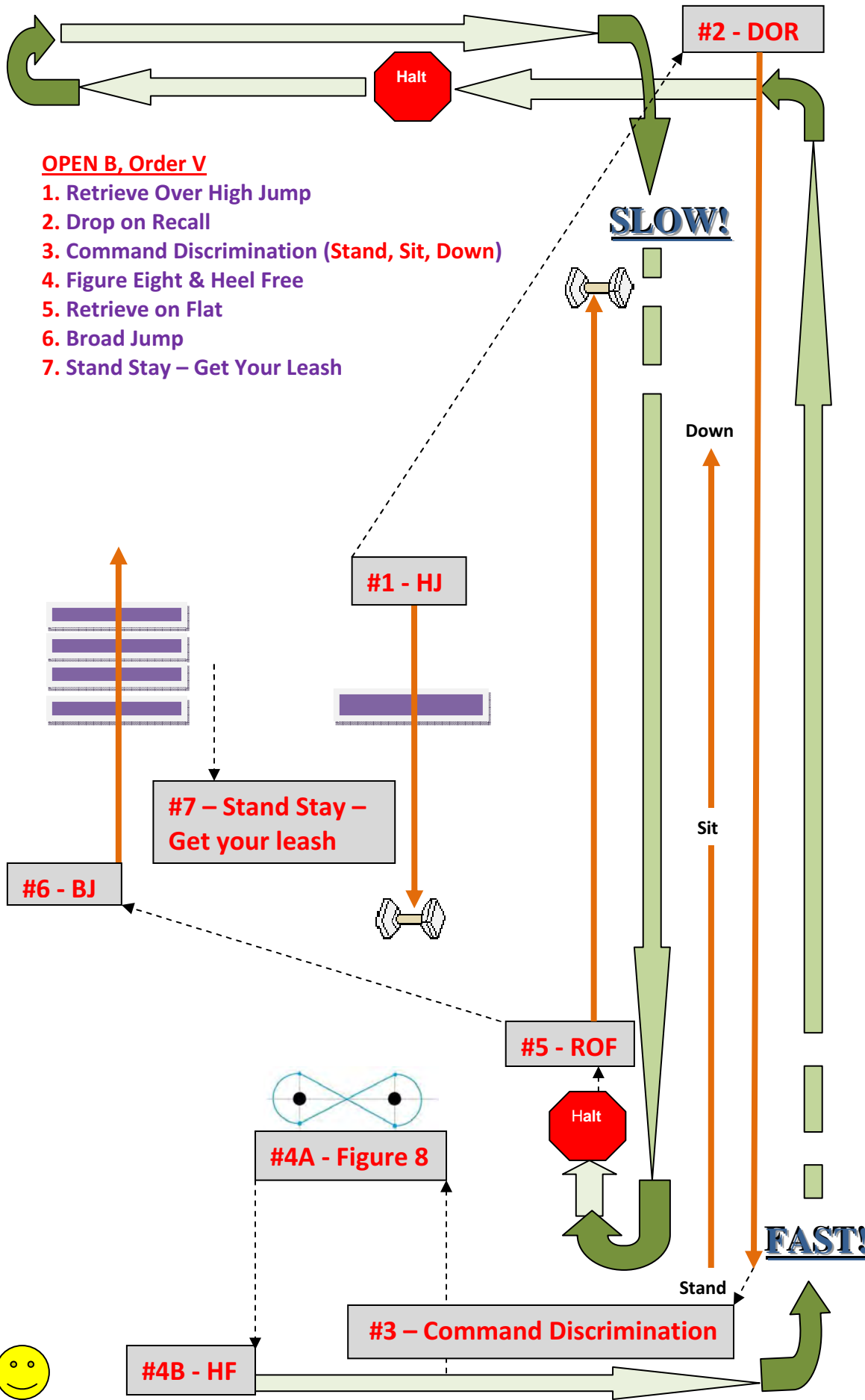
© by John Cox

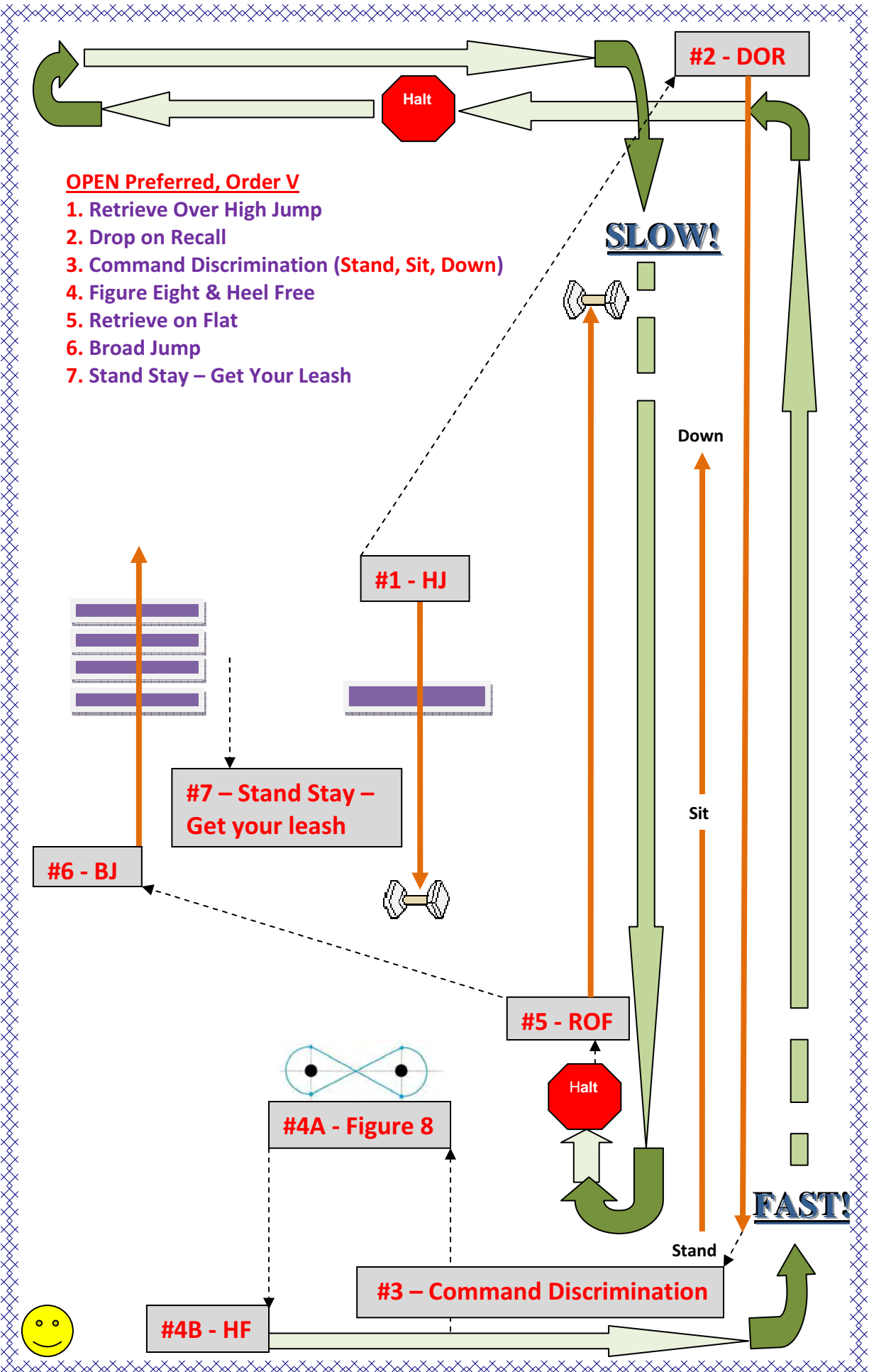
#	Breed	Jump /	Points Off	Point Total	Net
Drop on Recall	Slow response No trot/gallop Not direct Slow response to command/signal Traveled Slowness to down No drop Slow response No trot/gallop Not direct			30	
	Front: NF PS NS Out T Between feet Finish: NF PS NS Prompt Smart				
Heel Free	L	F	S	C	W
Handler: Fast NA BA / Slow ND NB PS NS PS NS Hand arm position Briskness Head motion Rounded or Military Turn				40	
Figure Eight					
Hand Arm Briskness Head motion PS NS PS NS Adapts pace Wide Shoulder motion					
Retrieve Over High Jump	Slow Response Anticipated EC=NQ No trot/gallop Not direct Drop Prompt retrieve Mouth Release Around jump Hes./rel. to jump T Hand			30	
	Front: NF PS NS Out T Between feet Finish: NF PS NS Prompt Smart				
Command Discrimination	Down	Stand	Sit	HP	30
	EC/S = NQ Held Signal Moved	EC/S = NQ Held Signal Moved	EC/S = NQ Held Signal Moved		
Broad Jump	Slow Response Anticipated EC=NQ Refused jump Failed to clear distance Hes./rel. to jump T No trot/gallop Not direct Turn in place Midair BA Hand			20	
	Front: NF PS NS Out T Between feet Finish: NF PS NS Prompt Smart				
Retrieve on Flat	Slow Response Anticipated EC=NQ No trot/gallop Not direct Drop Prompt retrieve Mouth Release Hand			20	
	Front: NF PS NS Out T Between feet Finish: NF PS NS Prompt Smart				
Stand – Get Your Leash	Stand		HP	30	
	Held Signal Moved Changed		Moved Changed		
"Leave your dog to get your leash" "Attach your leash to the collar and maintain control of your dog."					
Not under control in area of the gate			Miscellaneous	-	
Bark Whine Positioning Guiding			Final Score		

Open B or Preferred - Exercise Order IV

© by John Cox

#	Breed	Jump /	Points Off	Point Total	Net
Drop on Recall	Slow response No trot/gallop Not direct Slow response to command/signal Traveled Slowness to down No drop Slow response No trot/gallop Not direct			30	
	Front: NF PS NS Out T Between feet Finish: NF PS NS Prompt Smart				
Heel Free	L	F	S	C	W
Handler: Fast NA BA / Slow ND NB PS NS PS NS Hand arm position Briskness Head motion Rounded or Military Turn				40	
Figure Eight					
Hand Arm Briskness Head motion PS NS PS NS Adapts pace Wide Shoulder motion					
Retrieve Over High Jump	Slow Response Anticipated EC=NQ No trot/gallop Not direct Drop Prompt retrieve Mouth Release Around jump Hes./rel. to jump T Hand			30	
	Front: NF PS NS Out T Between feet Finish: NF PS NS Prompt Smart				
Command Discrimination	Down	Stand	Sit	HP	30
	EC/S = NQ Held Signal Moved	EC/S = NQ Held Signal Moved	EC/S = NQ Held Signal Moved		
Broad Jump	Slow Response Anticipated EC=NQ Refused jump Failed to clear distance Hes./rel. to jump T No trot/gallop Not direct Turn in place Midair BA Hand			20	
	Front: NF PS NS Out T Between feet Finish: NF PS NS Prompt Smart				
Retrieve on Flat	Slow Response Anticipated EC=NQ No trot/gallop Not direct Drop Prompt retrieve Mouth Release Hand			20	
	Front: NF PS NS Out T Between feet Finish: NF PS NS Prompt Smart				
Stand – Get Your Leash	Stand		HP	30	
	Held Signal Moved Changed		Moved Changed		
"Leave your dog to get your leash" "Attach your leash to the collar and maintain control of your dog."					
Not under control in area of the gate			Miscellaneous	-	
Bark Whine Positioning Guiding			Final Score		





OPEN Preferred, Order V

- 1. Retrieve Over High Jump
- 2. Drop on Recall
- 3. Command Discrimination (Stand, Sit, Down)
- 4. Figure Eight & Heel Free
- 5. Retrieve on Flat
- 6. Broad Jump
- 7. Stand Stay – Get Your Leash

Open B or Preferred Order V

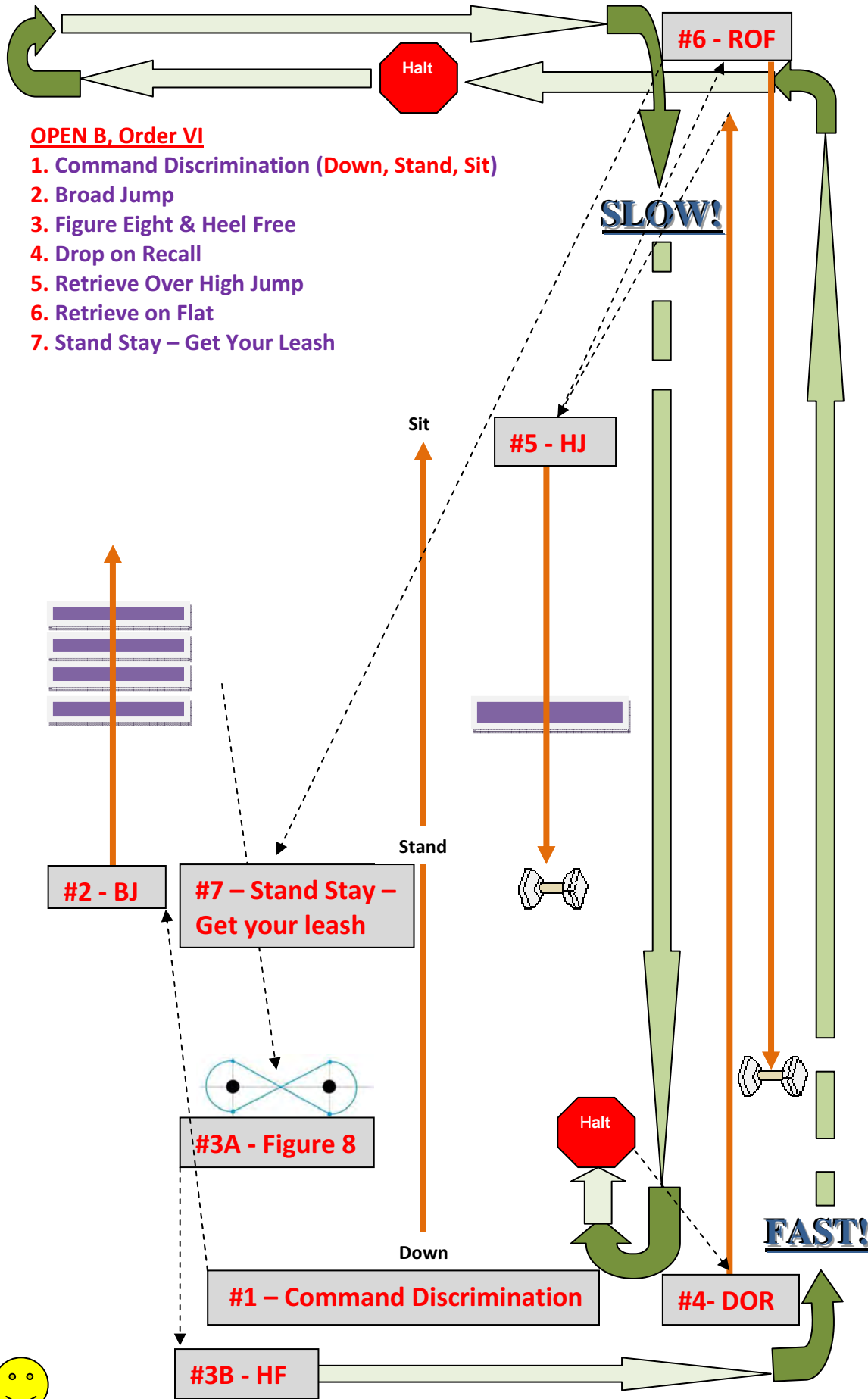
© by John Cox

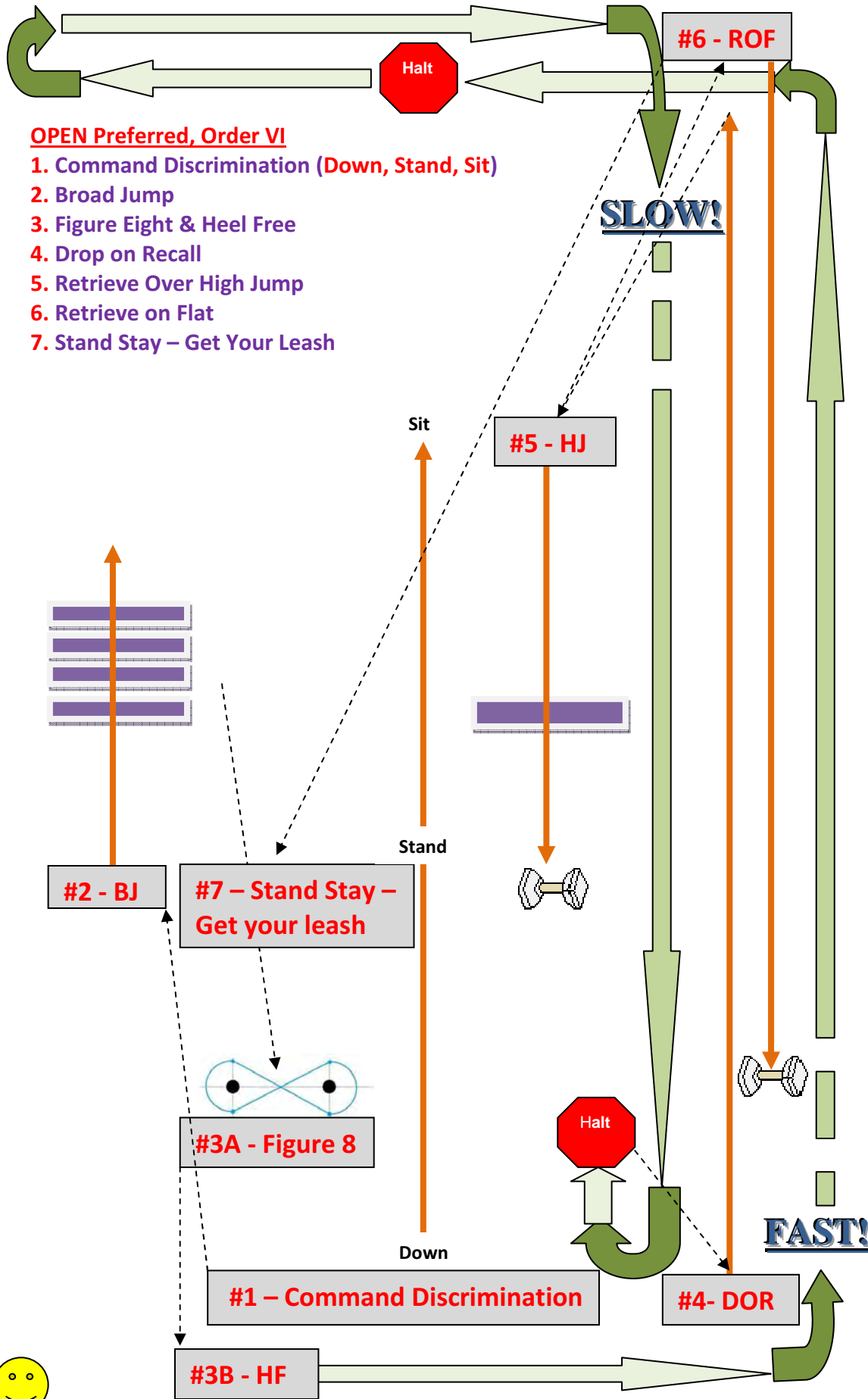
#	Breed	Jump /	Points Off	Point Total	Net
Retrieve Over High Jump	Slow Response Anticipated EC=NQ No trot/gallop Not direct Drop Prompt retrieve Mouth Release Around jump Hes./rel. to jump T Hand			30	
	Front: NF PS NS Out T Between feet Finish: NF PS NS Prompt Smart				
Drop on Recall	Slow response No trot/gallop Not direct Slow response to command/signal Traveled Slowness to down No drop Slow response No trot/gallop Not direct			30	
	Front: NF PS NS Out T Between feet Finish: NF PS NS Prompt Smart				
Command Discrimination	Stand Sit Down HP			30	
	EC/S = NQ Held Signal Moved EC/S = NQ Held Signal Moved EC/S = NQ Held Signal Moved				
Figure Eight	L F S C W			40	
Hand Position Briskness Head motion PS NS PS NS Adapts Pace Wide Shoulder motion				40	
Heel Free					
Handler: Fast NA BA / Slow ND NB PS NS PS NS Hand arm position Briskness Head motion Rounded or Military Turn				20	
Retrieve on Flat	Slow Response Anticipated EC=NQ No trot/gallop Not direct Drop Prompt retrieve Mouth Release Hand Front: NF PS NS Out T Between feet Finish: NF PS NS Prompt Smart				
Broad Jump	Slow Response Anticipated EC=NQ Refused jump Failed to clear distance Hes./rel. to jump T No trot/gallop Not direct Turn in place Midair BA Hand			20	
	Front: NF PS NS Out T Between feet Finish: NF PS NS Prompt Smart				
Stand – Get Your Leash	Stand HP			30	
	Held Signal Moved Changed Moved Changed				
“Leave your dog to get your leash” “Attach your leash to the collar and maintain control of your dog.”					
Not under control in area of the gate			Miscellaneous	-	
Bark Whine Positioning Guiding			Final Score		

Open B or Preferred Order V

© by John Cox

#	Breed	Jump /	Points Off	Point Total	Net
Retrieve Over High Jump	Slow Response Anticipated EC=NQ No trot/gallop Not direct Drop Prompt retrieve Mouth Release Around jump Hes./rel. to jump T Hand			30	
	Front: NF PS NS Out T Between feet Finish: NF PS NS Prompt Smart				
Drop on Recall	Slow response No trot/gallop Not direct Slow response to command/signal Traveled Slowness to down No drop Slow response No trot/gallop Not direct			30	
	Front: NF PS NS Out T Between feet Finish: NF PS NS Prompt Smart				
Command Discrimination	Stand Sit Down HP			30	
	EC/S = NQ Held Signal Moved EC/S = NQ Held Signal Moved EC/S = NQ Held Signal Moved				
Figure Eight	L F S C W			40	
Hand Position Briskness Head motion PS NS PS NS Adapts Pace Wide Shoulder motion				40	
Heel Free					
Handler: Fast NA BA / Slow ND NB PS NS PS NS Hand arm position Briskness Head motion Rounded or Military Turn				20	
Retrieve on Flat	Slow Response Anticipated EC=NQ No trot/gallop Not direct Drop Prompt retrieve Mouth Release Hand Front: NF PS NS Out T Between feet Finish: NF PS NS Prompt Smart				
Broad Jump	Slow Response Anticipated EC=NQ Refused jump Failed to clear distance Hes./rel. to jump T No trot/gallop Not direct Turn in place Midair BA Hand			20	
	Front: NF PS NS Out T Between feet Finish: NF PS NS Prompt Smart				
Stand – Get Your Leash	Stand HP			30	
	Held Signal Moved Changed Moved Changed				
“Leave your dog to get your leash” “Attach your leash to the collar and maintain control of your dog.”					
Not under control in area of the gate			Miscellaneous	-	
Bark Whine Positioning Guiding			Final Score		





Open B or Preferred - Exercise Order VI

© by John Cox

#	Breed					Points Off	Point Total	Net
	Jump /							
Command Discrimination	Down	Stand	Sit			HP	30	
	EC/S = NQ Held Signal Moved	EC/S = NQ Held Signal Moved	EC/S = NQ Held Signal Moved					
Broad Jump	Slow Response Anticipated EC=NQ Refused jump Failed to clear distance Hes./rel. to jump T No trot/gallop Not direct Turn in place Midair BA Hand						20	
	Front: NF PS NS Out T Between feet Finish: NF PS NS Prompt Smart							
Figure Eight	L	F	S	C	W		40	
Hand Arm Briskness Head motion PS NS PS NS Adapts Pace Wide Shoulder motion							40	
Heel Free								
Handler: Fast NA BA / Slow ND NB BA PS NS PS NS Hand Arm Briskness Head Motion Rounded or Military Turn							30	
Drop on Recall								
Retrieve Over High Jump	Slow Response Anticipated EC=NQ No trot/gallop Not direct Drop Prompt retrieve Mouth Release Around jump Hes./rel. to jump T Hand						30	
	Front: NF PS NS Out T Between feet Finish: NF PS NS Prompt Smart							
Retrieve on Flat	Slow Response Anticipated EC=NQ No trot/gallop Not direct Drop Prompt retrieve Mouth Release Hand						20	
	Front: NF PS NS Out T Between feet Finish: NF PS NS Prompt Smart							
Stand – Get Your Leash	Stand		HP				30	
	Held Signal Moved Changed		Moved Changed					
"Leave your dog to get your leash" "Attach your leash to the collar and maintain control of your dog."							-	
Not under control in area of the gate								
Bark Whine Positioning Guiding						Miscellaneous	-	
						Final Score		

Open B or Preferred - Exercise Order VI

© by John Cox

#	Breed					Points Off	Point Total	Net
	Jump /							
Command Discrimination	Down	Stand	Sit			HP	30	
	EC/S = NQ Held Signal Moved	EC/S = NQ Held Signal Moved	EC/S = NQ Held Signal Moved					
Broad Jump	Slow Response Anticipated EC=NQ Refused jump Failed to clear distance Hes./rel. to jump T No trot/gallop Not direct Turn in place Midair BA Hand						20	
	Front: NF PS NS Out T Between feet Finish: NF PS NS Prompt Smart							
Figure Eight	L	F	S	C	W		40	
Hand Arm Briskness Head motion PS NS PS NS Adapts Pace Wide Shoulder motion							40	
Heel Free								
Handler: Fast NA BA / Slow ND NB BA PS NS PS NS Hand Arm Briskness Head Motion Rounded or Military Turn							30	
Drop on Recall								
Retrieve Over High Jump	Slow Response Anticipated EC=NQ No trot/gallop Not direct Drop Prompt retrieve Mouth Release Around jump Hes./rel. to jump T Hand						30	
	Front: NF PS NS Out T Between feet Finish: NF PS NS Prompt Smart							
Retrieve on Flat	Slow Response Anticipated EC=NQ No trot/gallop Not direct Drop Prompt retrieve Mouth Release Hand						20	
	Front: NF PS NS Out T Between feet Finish: NF PS NS Prompt Smart							
Stand – Get Your Leash	Stand		HP				30	
	Held Signal Moved Changed		Moved Changed					
"Leave your dog to get your leash" "Attach your leash to the collar and maintain control of your dog."							-	
Not under control in area of the gate								
Bark Whine Positioning Guiding						Miscellaneous	-	
						Final Score		

AKC Obedience Jump Charts

(Chapter 4, Section 11)

by John Cox ©

Regular Classes + Approved Breeds for ¾ Jump Height & Preferred Classes --- ½ Jump Height
 Measured height nearest multiple of 2" to the height of the dog's withers.

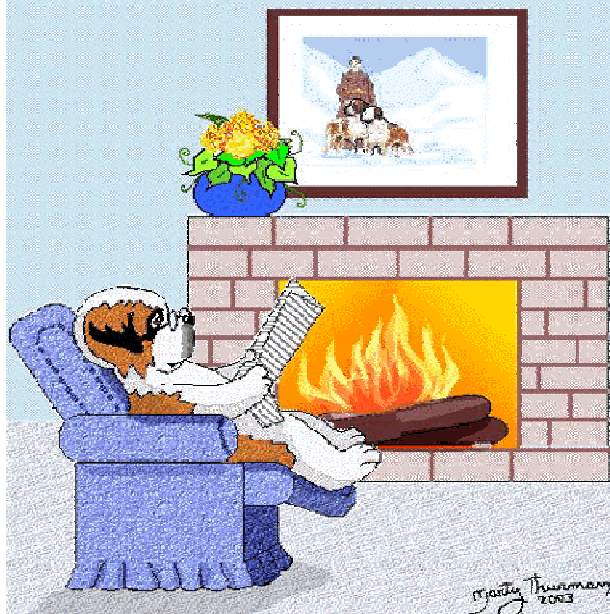


Chart For Once the Height at the Withers

Height to be Jumped	Broad Jump Hurdles	High Jump Chart Board Combinations
4"	(8) 1	4" = 4
8"	(16) 2	8" = 8
10"	(20) 2	10" = 8 + 2
12"	(24) 2	12" = 8 + 4
14"	(28) 3	14" = 8 + 4 + 2
16"	(32) 3	16" = 8 + 8
18"	(36) 3	18" = 8 + 8 + 2
20"	(40) 3	20" = 8 + 8 + 4
22"	(44) 3	22" = 8 + 8 + 4 + 2
24"	(48) 4	24" = 8 + 8 + 8
26"	(52) 4	26" = 8 + 8 + 8 + 2
28"	(56) 4	28" = 8 + 8 + 8 + 4
30"	(60) 4	30" = 8 + 8 + 8 + 4 + 2
32"	(64) 4	32" = 8 + 8 + 8 + 8
34"	(68) 4	34" = 8 + 8 + 8 + 8 + 2
36"	(72) 4	36" = 8 + 8 + 8 + 8 + 4

Chart for ¾ the Height at the Withers

Measured Height	Height to Jump	Broad Jump
Less than 10"	4"	(8) 1
10 to less than 12 1/2"	8"	(16) 2
12 1/2 to less than 15"	10"	(20) 2
15 to less than 17 1/2"	12"	(24) 2
17 1/2 to less than 20"	14"	(28) 3
20 to less than 23"	16"	(32) 3
23 to less than 25 1/2"	18"	(36) 3
25 1/2 to less than 28"	20"	(40) 3
28 to less than 31"	22"	(44) 3
31 to less than 33 1/2"	24"	(48) 4
33 1/2 to less than 36"	26"	(52) 4
36 to less than 39"	28"	(56) 4

Chart for ½ the Height at the Withers (Preferred Open & Preferred Utility)

Measured Height	Height to Jump	Broad Jump
12" or less	4"	(8) 1
Greater than 12" up to 18"	8"	(16) 2
Greater than 18" up to 22"	10"	(20) 2
Greater than 22" up to 26"	12"	(24) 2
Greater than 26" up to 30"	14"	(28) 3
Greater than 30" up to 34"	16"	(32) 3
Greater than 34"	18"	(36) 3



Broad Jump: To cover a distance equal to TWICE the height of the High Jump

4 hurdles shall be used for a jump of 48" to 72"
 3 hurdles shall be used for a jump of 28" to 44"
 2 hurdles shall be used for a jump of 16" to 24"
 1 hurdle shall be used for a jump of 8"

When decreasing the number of hurdles in the Jump, the highest hurdle(s) shall be removed first.

52 Approved Breeds Jumping ¾ Their Height at the Withers

Akita	Dandie Dinmount Terrier	Newfoundland
Alaskan Malamute May 1, 2020	Dogue De Bordeaux	Norwich Terrier
Argentine Dogo	Estrela Mountain Dog	Otterhound
Basset Hound	French Bulldog	Pekingese
Bergamasco	Glen of Imaal Terrier	Pembroke Welsh Corgi
Bernese Mountain Dog	Grand Basset Griffon Vendéen	Petit Basset Griffon Vendéen
Black Russian Terrier	Great Dane	Portuguese Podengo
Bloodhound	Great Pyrenees	Pugs
Bolognese	Greater Swiss Mountain Dog	Saint Bernard
Borzoï	Irish Wolfhound	Scottish Terriers
Bulldog	Kishu Ken	Sealyham Terrier
Bullmastiff	Kooikerhondje	Shih Tzu
Cardigan Welsh Corgi	Kuvaszok	Skye Terrier
Caucasian Mountain Dog	Lagotto Romagnolo	Sussex Spaniel
Chinese Shar-Pei	Leonberger	Swedish Vallhunds
Chow Chow	Mastiff	Thai Ridgeback
Clumber Spaniel	Neopolitan Mastiff	West Highland White Terrier
Dachshund		